

ELITE TR 3 AUTO

User manual

Version July 2023



THIS PAGE IS NOT WRITTEN INTENTIONALLY



1. FIRST STEPS

Congratulations on your purchase of the ELITE model TR 3 AUTO setting machine.

Read this guide before you start.

The ELITE model TR 3 AUTO is an economical and low-maintenance automatic setting machine for band saws with a width of 10 to 80 mm.

This manual introduces you to the main functions of the setter in order to avoid risks to your health or that may cause a breakdown or premature wear of the machine.

In case of any doubt, please contact us directly or one of our authorized distributors.

Informative Note: *The use described in the manual of this setter may present some variations in use since our machinery is subject to possible constructive modifications, depending on the incorporation of technological advances in our sharpening equipment.*



2.SECURITY

2.1.Safety rules

Carefully observe and apply the following safety rules, non-observance of these rules may cause personal injury or damage to the machine itself.

The installation and maintenance of the machine described in this manual must be carried out only by operators who are familiar with its operation and have sufficient technical knowledge.

The ELITE model TR 3 AUTO setting machine has been designed for setting band saws with a width of 10 to 80 mm. excluding any other type of operation.



DANGER HIGH VOLTAGE



DANGER OF ACCIDENT



DANGER DUE TO SPARK PROJECTION



WEAR PROTECTIVE SHOES



DANGER FROM SHARP TOOLS



USE HEARING PROTECTORS

These warnings do not include all possible risks that could be caused by improper use of the machine. Therefore, the operator must proceed with prudence and observing the rules.



2.2. Use and preservation of the instruction manual

This instruction manual must be read and understood by all personnel who come into contact with the machine.

This guide is for:

- Indicate the correct use of the machine according to the type of work to be carried out.
- Provide the necessary instructions for the transport, adjustment and maintenance of the machine.
- Facilitate the order of spare parts and risk information.

Limits of use of the manual:

The machine is intended for professional use and therefore the experience of the operator is necessary and of vital importance.

Importance and conservation of the manual:

This manual must be considered an integral part of the machine and must therefore remain with it until the end of its use.

Additional information and clarifications:

The user, owner or maintenance person can contact the manufacturer to request any additional information on the use of the machine and the possible modalities of maintenance and repair intervention.

Expiration of responsibility:

The manufacturer is considered exempt from any responsibility in case of:

- Improper use of the machine.
- Use of the machine by untrained persons.
- Serious failures in scheduled maintenance.
- Unauthorized interventions or modifications.
- Use of non-original spare parts.



THIS PAGE IS NOT WRITTEN INTENTIONALLY



2.3.Declaration of conformity

The company hereby **Elite Sharpening Machines, SLU**
C/Joan Oró, 27
ES-08635 Sant Esteve Sesrovires

declares that the product indicated below, based on its conception and construction, as well as the version put on the market by our company, complies with the mandatory basic health and safety requirements of the CE directive.

This declaration loses its validity in the event of unauthorized modifications to the product.

Product name: ***ELITE TR3 AUTO***
Product type: ***Band saw setting machine***
Serial No.: _____

EC Directive Competences:

- **EC Machinery Directive (2006/42/EC)**
- **European directive on electromagnetic compatibility (2014/30/EU)**
- **The protection purposes of the CE low voltage directive (2006/95/CE) were fulfilled according to annex I, nr. 1.5.1 of the machinery directive 2006/42/EC**

The technical documentation was compiled by Legal representative of the documentation:

Sergi Valls Gramunt
Joan Oró, 27
ES-08635 Sant Esteve Sesrovires

Date / manufacturer - Signature: _____
Signatory data: Sergi Valls Gramunt, manager



THIS PAGE IS NOT WRITTEN INTENTIONALLY

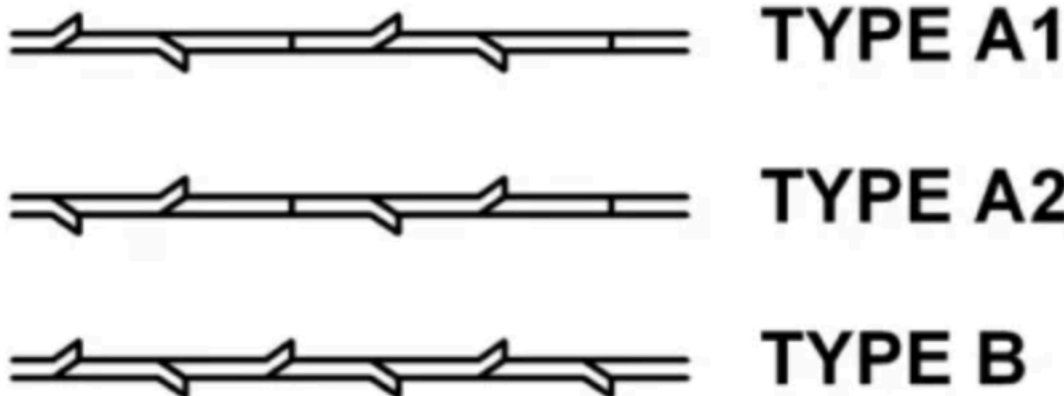


3. TECHNICAL DATA

In the following table of information, find the list of technical specifications of the setter described in this manual.

TECHNICAL. DATA	ELITE TR 3 AUTO
Band saw width	From 10 to 80mm. (0.39" to 3 1/6")
Band saw thickness	From 0.5 to 1.2mm. (0.02" to 0.047")
Tooth pitch	From 5 to 35mm. (0.19" to 1.37")
Machine size	650 x 600 x 2600mm.
Net weight	50 kg

Types of setting





4. TRANSPORTATION

The TR 3 AUTO setting machine is delivered packed in a wooden box.

During all transport and transfer, the machine must be kept in its original vertical position, any variation in this position may lead to the loss of the guarantee.



Model	Dimensions	Gross weight
TR 3 AUTO	920 x 820 x 1560mm.	92 kg



4.1. Unpacking and assembly instructions

Take special care when lifting the load: The load may not be centered!

To lift or move the load, use a forklift with blades long enough to support the machine, taking into account the width and depth of the machine when calculating the weights to be lifted.

To unpack, remove the front panel and wooden blocking pieces.

The base of the machine is fixed to the pallet with fixing stops. Remove them before attempting to move it.



Once the machine has been transferred to its final work destination, you must fix the machine to the ground using the 4 screws placed on the base support of the machine. If this is not done, there is a high risk of the machine tipping over and causing serious injury to personnel and the machine itself.

Insert the rod with the rollers in their vertical position at the rear of the machine. Move the rollers so they can hold the blade ring in place during adjustment and sharpening operations. Lock the lower end of the support with the screws that you can find in the casing.



5. INSTALLATION

5.1. Machine placement

Before any work, make sure that the machine is well aligned and does not oscillate at any of its ends, in which case it must be shod to prevent movement. For its correct leveling it is necessary to use a leveling tool. This control must be carried out both longitudinally and transversally.



A poor leveling of the machine can cause unwanted vibrations and premature wear of the linear guides.



ATTENTION: The machine must not be used under any circumstances by unqualified or unauthorized personnel.



5.2. Electrical connection



DANGER HIGH VOLTAGE!

The TR 3 AUTO setting machine must be strictly connected to the voltage indicated in the machine order and on the machine itself. The connection to a voltage other than that indicated may cause a breakdown in the machine and represents a risk for people who use the machine.

For its connection to the electrical network, the machine requires only two phases and the ground connection.

This installation must be carried out by qualified technical personnel and checked with a voltage meter before turning on the machine.

It is absolutely essential that the cross-section of the connection cable is as required, that the machine has a dedicated socket protected against overloads and that it is as close as possible to the mains socket.

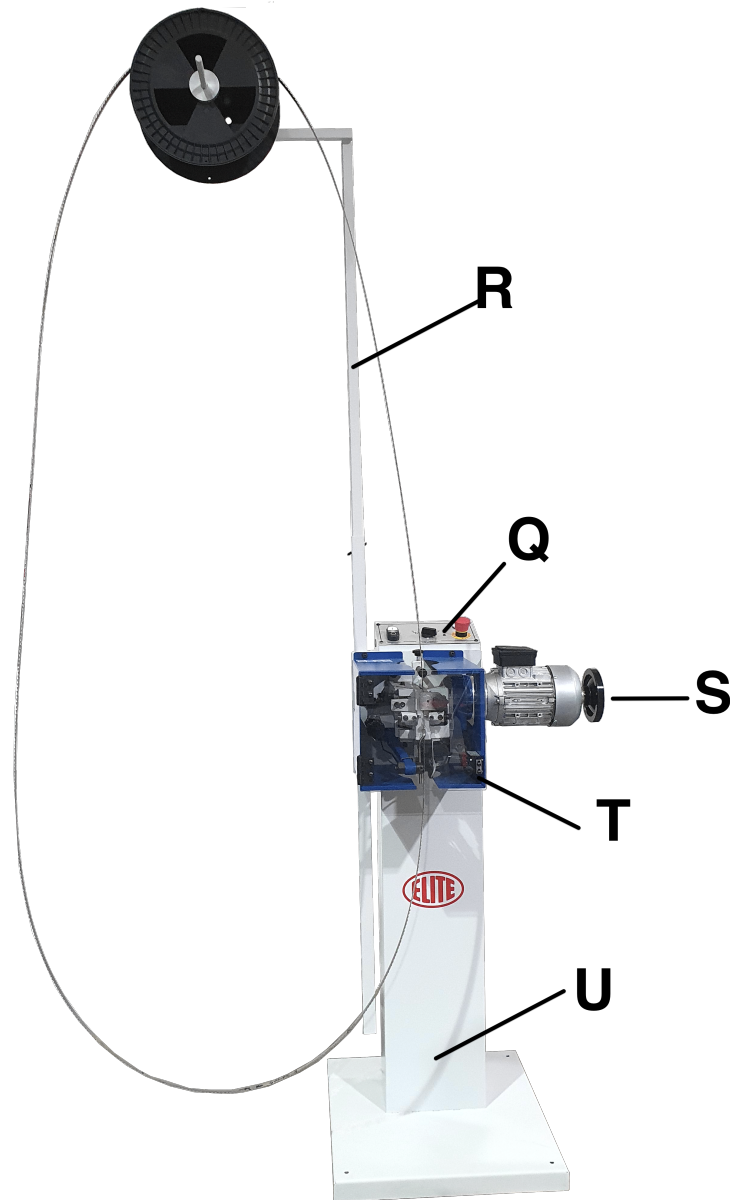
In case of an inadequate cable section, not enough current will reach the machine at the time of setting, causing a faulty and extremely brittle setting. This is one of the most important points since a very large number of possible setting problems are due to this problem.

We reject any responsibility for a wrong connection.

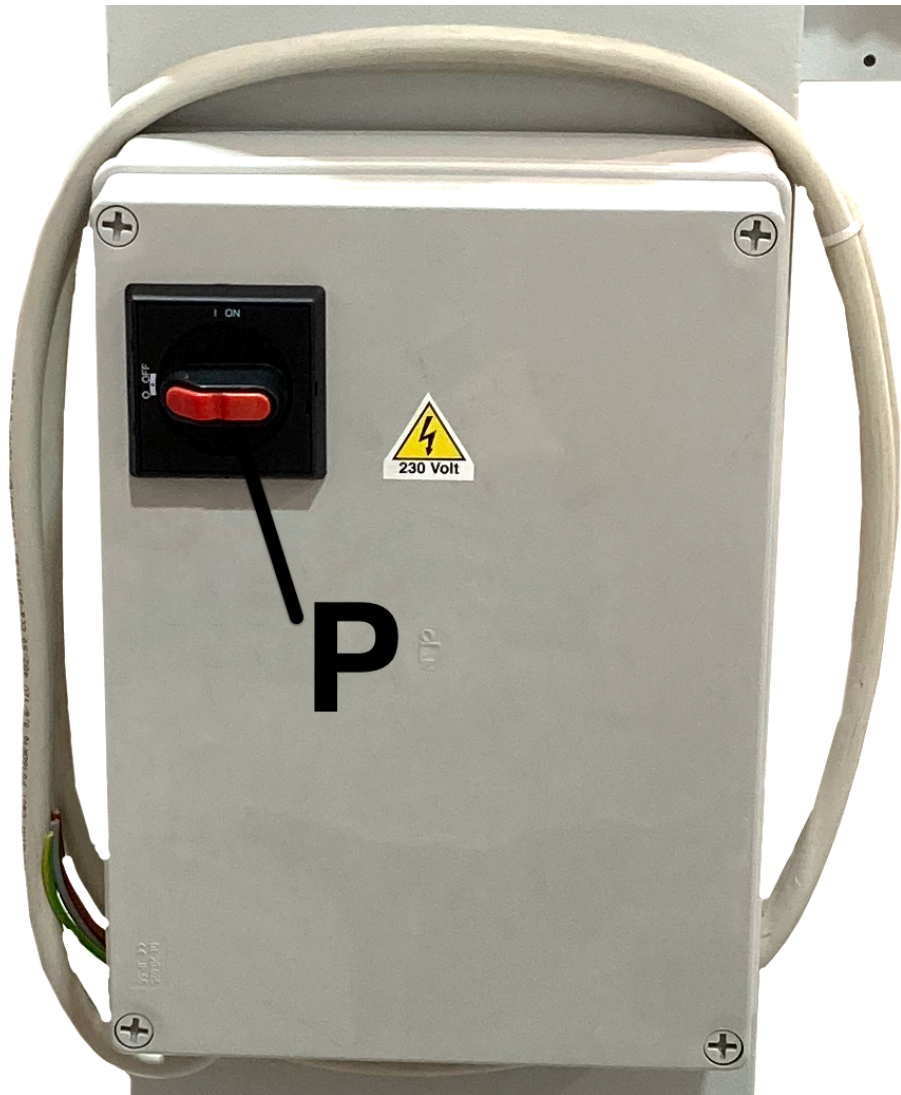
Once the connection has been made and checked, turn the main ON/OFF switch to the ON position.



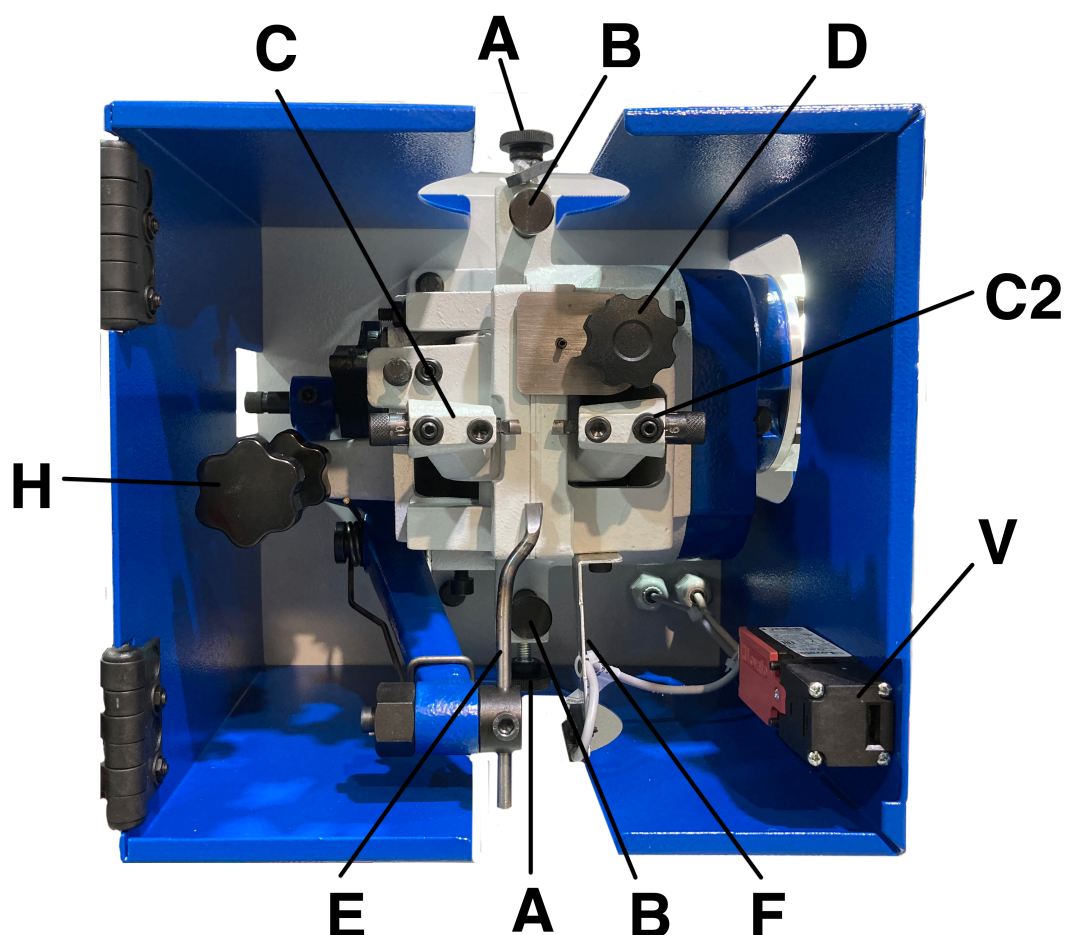
5.3. Main components of the machine



- R. Rod of roll for bandsaw positioning.
- Q. Control panel.
- S. Motor and reducer unit of the setting machine.
- T. Setter unit.
- U. Base.



P. Main switch.



- A. Blocking knobs of the band height regulators
- B. Band height regulators
- C1. Right lever (it supports the right hammer)
- C2. Left lever (it supports the left hammer)
- D. Knob of the device that presses the band
- E. Tooth pusher
- F. Sensor
- H. Pitch regulator knob
- V. Movable protective cover with sensor



www.elite.es/en/support/manuals/tr-3-auto

For more updated information and helpful videos on how to operate the machine, check our website www.elite.es